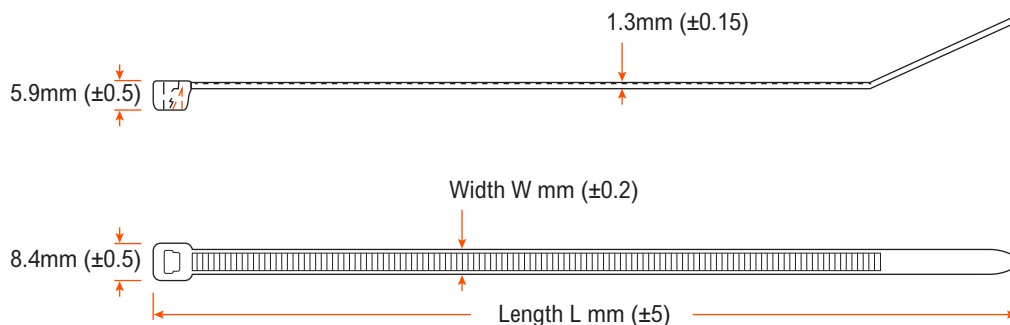
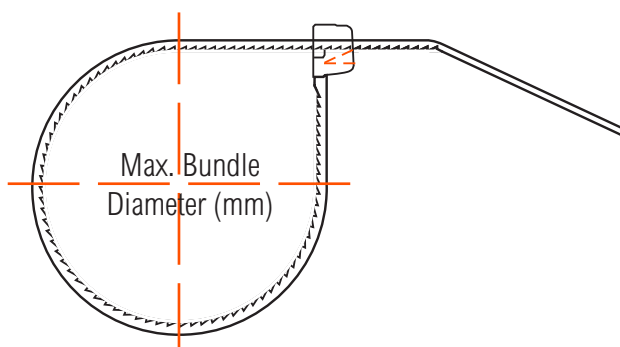


# Coloured Cable Ties

## Standard Range



• <b>Material:</b>	UL approved Nylon 66, 94V-2. High tensile strength with low insertion force. Excellent resistance to weathering and ageing.
• <b>Feature:</b>	Suitable for a multitude of uses in various industries.
• <b>Application:</b>	Self-locking for fast and easy application.
• <b>Operating Temperature:</b>	-40°C to +85°C.



See product technical table on next page

# Coloured Cable Ties

## Standard Range

Item No.	Colour	Width W (mm)	Length L (mm)	Max. Bundle Diameter (mm)	Min. Tensile Strength (kg)
CT5-BLUE	Blue	4.8	203	52	22
CT5-BROWN	Brown	4.8	203	52	22
CT5-GREEN	Green	4.8	203	52	22
CT5-ORANGE	Orange	4.8	203	52	22
CT5-PURPLE	Purple	4.8	203	52	22
CT5-RED	Red	4.8	203	52	22
CT5-SILVER	Silver	4.8	203	52	22
CT5-YELLOW	Yellow	4.8	203	52	22
CT8-BLUE	Blue	4.8	300	83	22
CT8-BROWN	Brown	4.8	300	83	22
CT8-GREEN	Green	4.8	300	83	22
CT8-ORANGE	Orange	4.8	300	83	22
CT8-PURPLE	Purple	4.8	300	83	22
CT8-RED	Red	4.8	300	83	22
CT8-SILVER	Silver	4.8	300	83	22
CT8-YELLOW	Yellow	4.8	300	83	22
CT10-BLUE	Blue	4.8	368	105	22
CT10-BROWN	Brown	4.8	368	105	22
CT10-GREEN	Green	4.8	368	105	22
CT10-ORANGE	Orange	4.8	368	105	22
CT10-PURPLE	Purple	4.8	368	105	22
CT10-RED	Red	4.8	368	105	22
CT10-SILVER	Silver	4.8	368	105	22
CT10-YELLOW	Yellow	4.8	368	105	22